

Vakumska usisna oprema





Vakumska usisna oprema može biti individualno sastavljena po porudžbini da zadovolji zahteve radnog procesa i da se izgradi prema uslovima svakog kupca.

Različiti usisivači kao ručni delovi i aparat su dostupni za različite materijale, kao što su kičmena moždina, kičmena membrana, mozak i masnoće, kod svinja junadi i ovaca.

Vakumska usisavajuća oprema, sa odgovarajućim aparatima, održavaju vašu proizvodnu proceduru čistom, obezbeđuju suvlje proizvode od mesa, što konačno omogućava duži rok trajanja i bolji kvalitet proizvoda.

Pregled upotrebe:

Za krupnu stoku:

Uklanja :

1. kičmenu moždinu iz zatvorenog kičmenog kanala.
2. kičmeno tkivo na polovljenim životinjama
3. koštanu strugotinu, opiljke, sukrvicu i drugo sa površine reza posle polovljenja.
4. preostalu masnoću
5. kičmenu moždinu i membranu na otvorenom spinalnom kanalu kod svinja.

Za svinje:

1. kičmenu moždinu na polutkama
2. mozak
3. salo
4. oči

Za ovce :

1. kičmenu moždinu pre polovljenja

Budući razvoj garantuje nove proizvode.

The vacuum suction equipment can be assembled individually in order to adapt to the requirements, the work processes and the building conditions of each customer.

Various suction hand pieces and devices are available for vacuuming risk material such as spinal marrow, spinal membrane, brains as well as flare fat, flare fat residue and fat residue from pigs, heavy livestock, calves, sheep, goats and mutton.

The vacuum suction equipment and the corresponding devices allow you to produce clean, dry meat products, which improve both shelf life and quality.

Overview of potential applications:

For heavy livestock:

Spinal cord core from the closed spinal canal
Soft spinal marrow from the halved animal
Removal of bone meal, blood residue, etc. on the cut surface after halving
Fat remains
Spinal marrow with spinal membrane from the open spinal canal

For pigs:

Spinal marrow from the halved animal
Brains
Flare fat residue
Eyes

For sheep, mutton and goats:
Spinal marrow (before halving)

From poultry:
Offal

Further developments will generate new applications.

**VAKUMSKA USISNA OPREMA uključuje:
STANDARDNU OPREMU:**

1. Vakumska pumpa sa vazдушnim filterom
2. Vakumske cevi
3. Separator
4. Vakumski tank
5. Usisno crevo
6. Usisna ruka (deo)

OPCIJE MOGUĆNOSTI:

- A) Kugla ventil
- B) Vodeni filter 1" za pražnjenje
- C) Pneumatska kontrola usisavanja
- D) Drugo usisno kućište
- E) Drugu usisnu ručicu

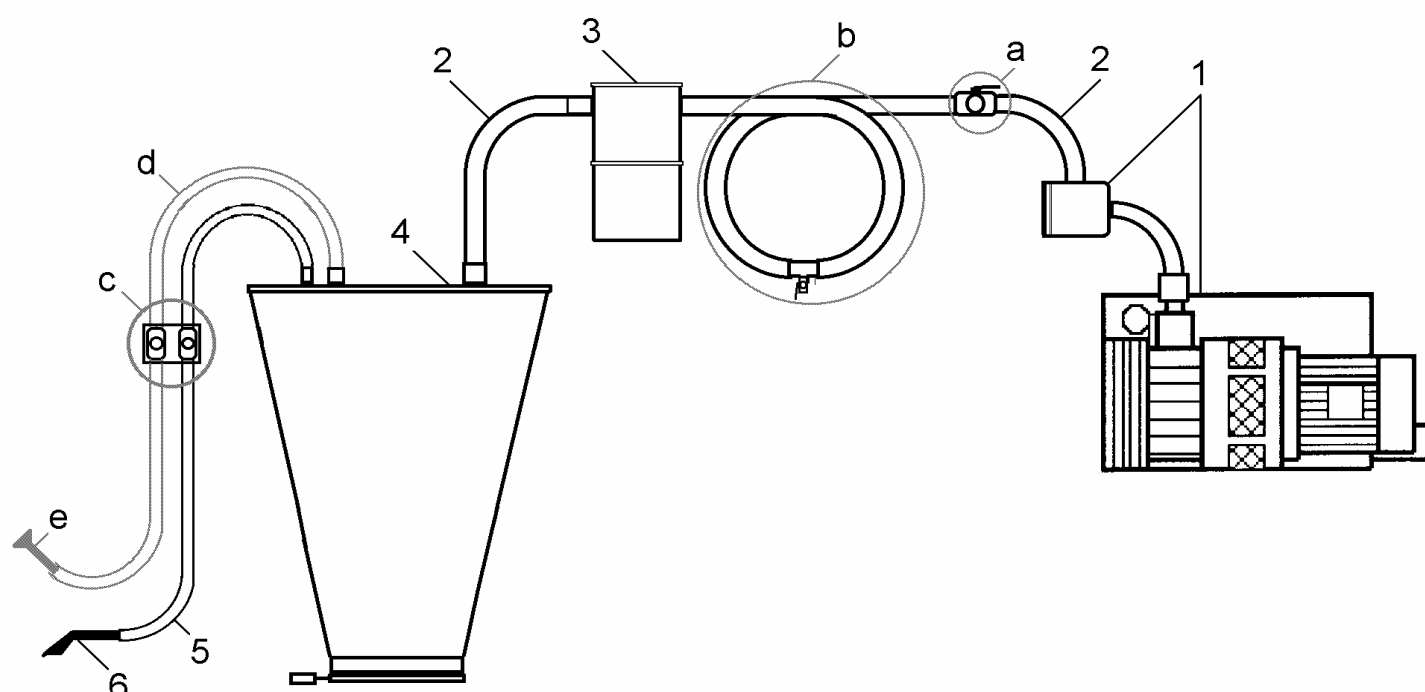
Vacuum suction equipment assembly

Standard equipment

- 1 Vacuum pump with air filter
valve nipple, "EASY CLEAN" and
vacuum pump oil, 10 litre canister
- 2 Vacuum hose
- 3 Separator
- 4 Vacuum tank
- 5 Suction hose
- 6 Suction hand piece

Options

- a Ball valve
- b Water sack with 1" drain valve
- c (Pneumatic) suction control
- d Second suction hose
- e Second suction hand piece



TrimVac 18a MX ili **TrimVac 45AMX** takođe može biti povezan umesto na usisnu ruku (ilustracija 6).

A TrimVac18AMX or a TrimVac45AMX can be also connected instead of the suction hand piece (illustration 6)

Ako su dve usisne ruke priključene na jedan tank sa zahtevom da uklanjaju dva različita materijala, razdvojene linije moraju imati mogućnost zatvaranja korišćenjem ventila, tako da je samo jedna usisna linija otvorena.

If two suction hand pieces are connected to a single tank in order to remove two different products, the separate lines must be able to be closed off, e.g., using ball valves, so that only one suction line is open (otherwise the suction drops off rapidly). The best option in this case is a suction control (option illustration c) which automatically closes one line when the other one is opened.

Najbolja opcija u ovom slučaju je usisna kontrola (ilustracija C) koja automatski zatvara jednu liniju kada je druga otvorena.

VAKUM PUMPE su sa uljno podmazanim rotorom i kliznim ventilima i specijalno su dizajnirane za primenu sa opremom za vakumsko usisavanje sa specijalnim filterima, sa ventilima za pritisak gasa, filtraciono otpornim manometarom i specijalnom vakumsko viskoznom uljnom pumpom. Sve vakumske pumpe koje počinju od VP 200 su opremljene sa specijalno razvijenom "Easy clean" usisnom rukom za brzo čišćenje. Samo ovo mogućava dnevno čišćenje filtera u usisnoj ruci kako bi se usisavanje vršilo na brz i efikasan način, bez potrebe da se u potpunosti ukloni usisna ruka.



The vacuum pumps are oil-lubricated rotor slide-valve pumps and were specially equipped for applications in vacuum suction equipment with special filters, gas ballast valve, filter resistance manometers and special viscosity vacuum pump oil.

All vacuum pumps starting from the VP 200 size are equipped with our specially developed "EASY CLEAN" quick-clean suction flange. Only this makes it possible to perform the necessary daily filter cleaning in the suction flange in order to maintain suction in a

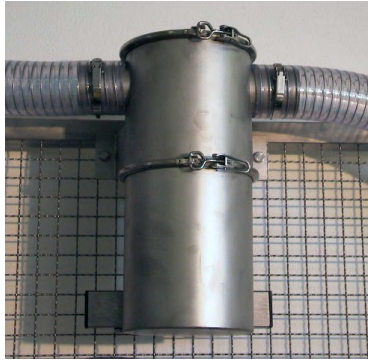
quick and problem-free manner without having to completely remove the suction flange.

VAKUMSKI TANK je konstruisan tako da može biti montiran kako direktno na zid ili postolje, ili na trolu. Prazni se preko bazne ploče koja se automatski otvara pod težinom materijal skupljenog u tanku kada je vakum isključen. Nakon što je tank ispražnjen, vaga vraća baznu ploču u prvobitan položaj, zatvarajući tank kada je vakum ponovo uključen.



The vacuum tank is constructed so that it can be mounted either directly onto the wall or on a stand or a trolley. It is drained via the base plate, which opens automatically from the weight of the material collected in the tank when the vacuum is switched off. After the contents have been emptied, a counterweight returns the base plate to its original position, closing itself off when the vacuum is switched on again.

SEPARATOR ima zadatak da razdvaja tečnost od čvrstih materija koje nisu skupljene u rezervoaru, zato što je rezervoar već prepun a nije na vreme ispražnjen, ili je nešto više od čvrstih materija povučeno sa tečnošću u vakumskom usisivaču, a da bi se sprečilo da dođe do vakum pumpe.



Vakuumpumpe gelangen.

The separator performs the task of separating solids and moisture that are not collected in the vacuum tank because the tank is already overfilled and not emptied on time, or that was entrained in the vacuum suction flow to prevent it from reaching the vacuum pump.

VODENI FILTER je povezan na dotok iz vakumskog rezervoara i separatora i služi da odvoji kondenzat. Vodeni filter sadrži vakumsko crevo kao i montažni set za vakumski filter.



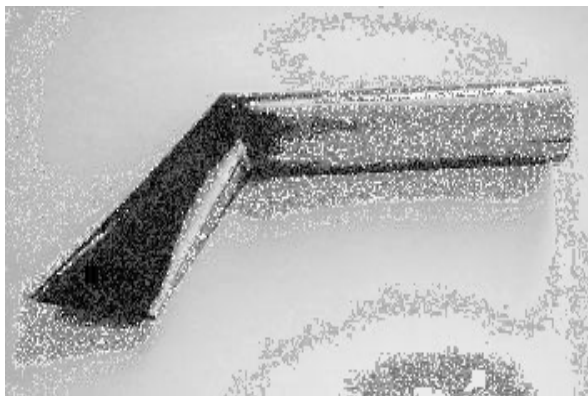
The water sack is connected downstream from the vacuum tank and the separator and serves to separate condensation. The water sack comprises the vacuum hose and the assembly set for the water sack.

KUGLA VENTIL sa ugrađenim tajmerom, ako je tražen omogućava blokadu vakumske linije, uzrokujući pražnjenje vakumskog tanka. Ovaj metod je važan za zatvaranje vakum pumpe.



The ball valve and equipped with a timer if desired, serves to block the vacuum line, causing the vacuum tank to drain. This method is superior to switching the vacuum pump itself on and off.

RM USISNA RUKA služi za ukljanjanje kičmene moždine kod prepolovljenih svinja i krupne stoke.



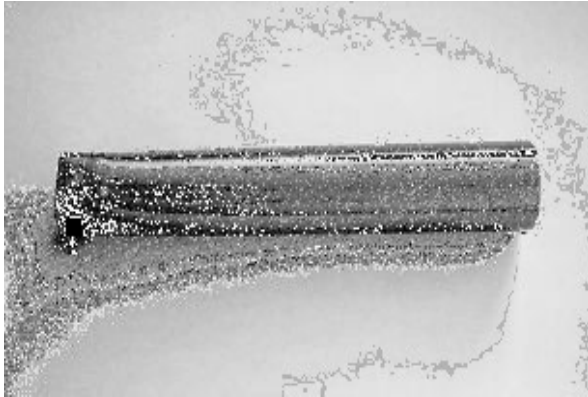
RM suction hand piece

for **removing of spinal marrow** out of the halved animal carcass from pigs (and heavy livestock)



FR RUČKA

Za ukljanjanje viška masnoća kod svinja



FR Handpiece

for **removing of flare fat remains** from pigs



BD USISNA RUČKA

Sa 80-mm širokim usisnikom za odstranjivanje sukrvice i dr. Na primeru površine reza posle polovljenja.



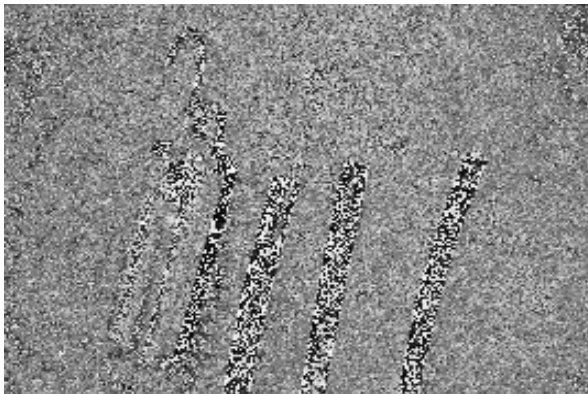
BD Suction handpiece

with 80-mm wide nozzle for **removal of bone meal**, water residue, blood residue, etc. for example on the halving cut surface after splitting



HRM USISNA RUČKA

Za odstranjivanje kičmene moždine kod ovaca i koza.



HRM suction handpiece

For **removal of spinal marrow** from sheep, mutton and goats





Za detaljnije informacije kontaktirajte nas:

Generalni zastupnik za Srbiju, Crnu Goru i Makedoniju:

FENIKSTRADE R.V.P. INTERNACIONAL

**Milutina Milankovića 34
11070 NOVI BEOGRAD**

Telefon: +381 11 301 50 54

Telefax: +381 11 301 50 53

e-mail: zrnveljkovic@yahoo.com ; zoranve@sezampro.yu

web adresa: www.fenikstradervp.com